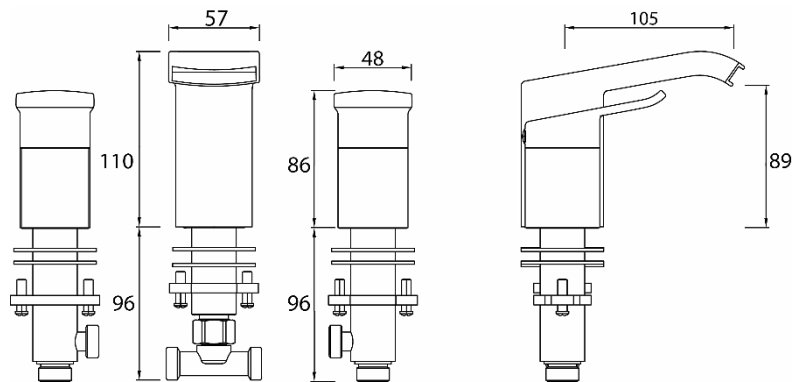


## DESCENT 3 Hole Basin Mixer

### Product Specification

**Product Code:** DSC 3HBAS C  
**Finish:** Chrome plated  
**Product Type:** Contemporary  
**Construction:** Bodies are of all brass construction and is designed to conform to BS EN 200  
**Valve Type:** ½" CD Valve ¼ Turn  
**Supply:** Suitable for all plumbing systems  
**Inlet:** 15mm Compression Threaded Tail  
**Working Pressures:** Min 0.2 Bar Max 5.0 Bar



### Additional Information

- Chrome plated to BS EN 248.
- Supplied with clicker waste.
- Supplied with metal handles.

**Technical Advice:** For further information please call 0844 7016273 or email [customer-care@bristan.com](mailto:customer-care@bristan.com).

**Guarantee:** 5 years covering manufacturing faults.

### Flow Rates (litres per minute)

System Pressure	0.2 bar	0.4 bar	0.5 bar	1.0 bar	2.0 bar	3.0 bar	4.0 bar
DSC 3HBAS C (mixed)	12.2	18.1	19.3	28.4	40.4	49.5	57.5